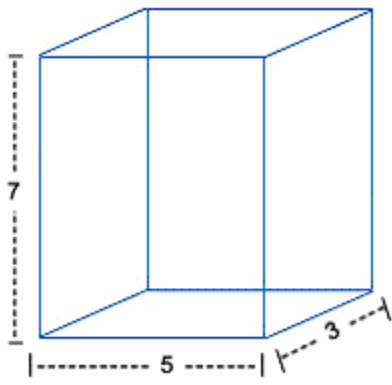
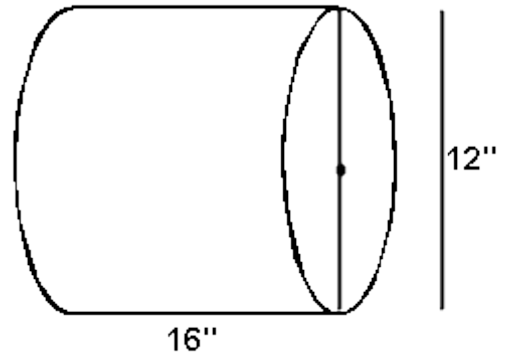


Determine the surface area of each figure. Show all workings and formula used.

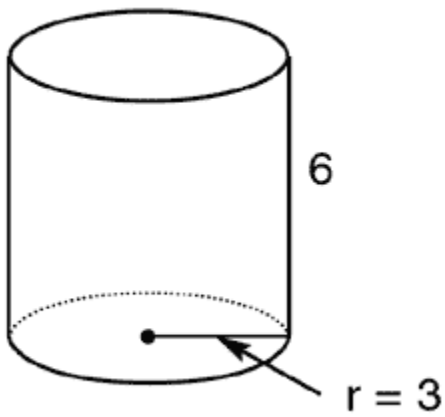
1.



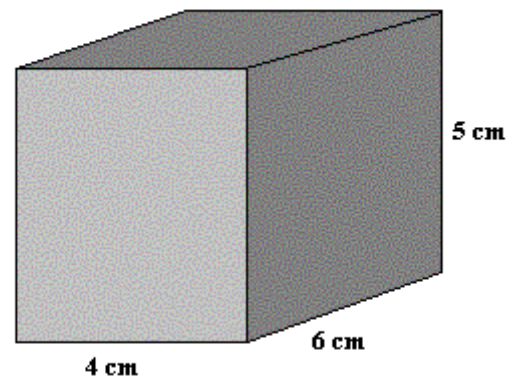
2.



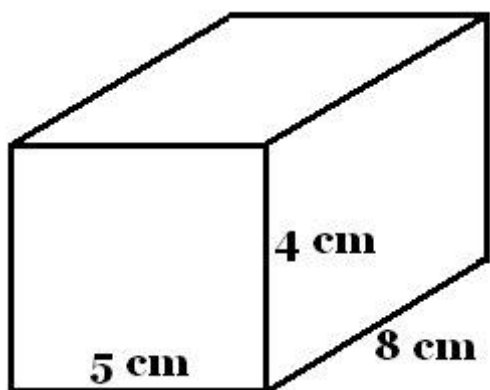
3.



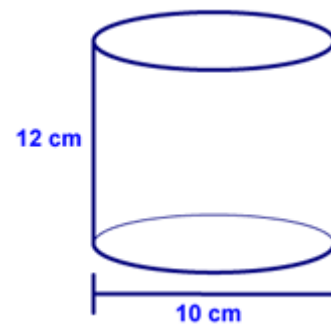
4.



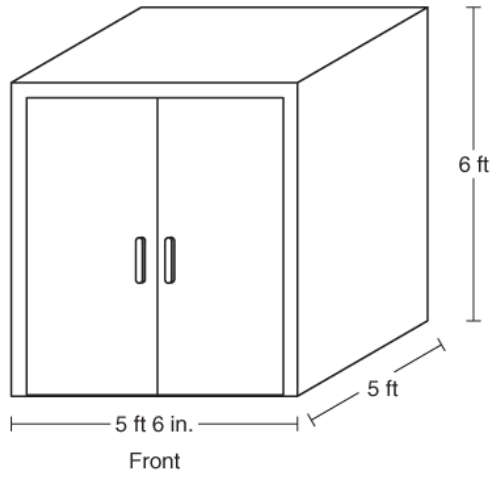
5.



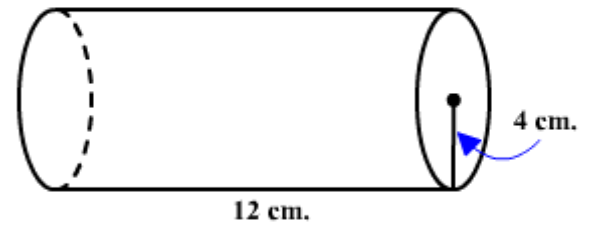
6.



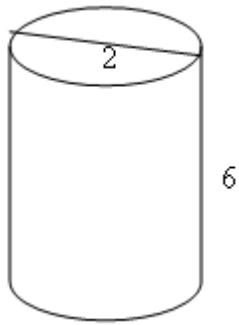
7.



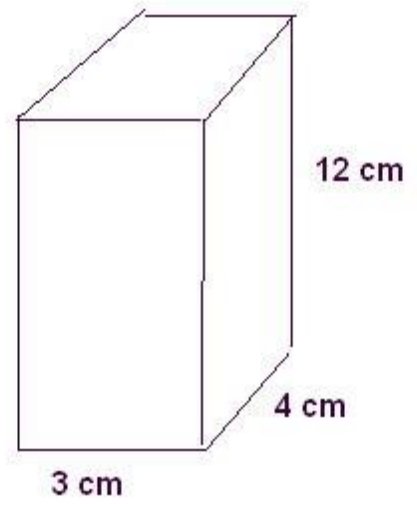
8.



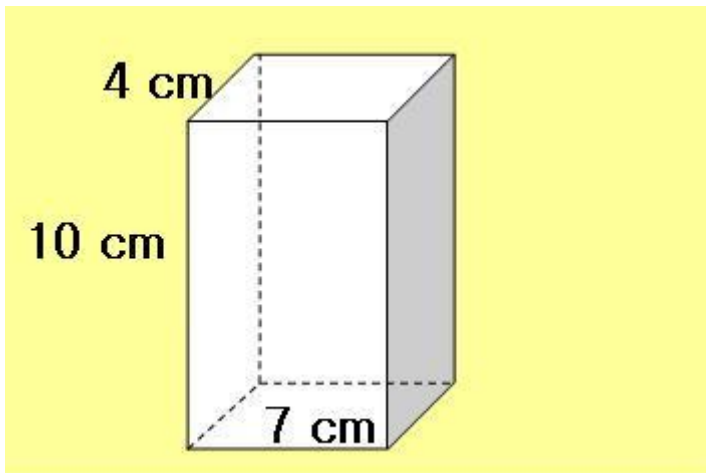
9.



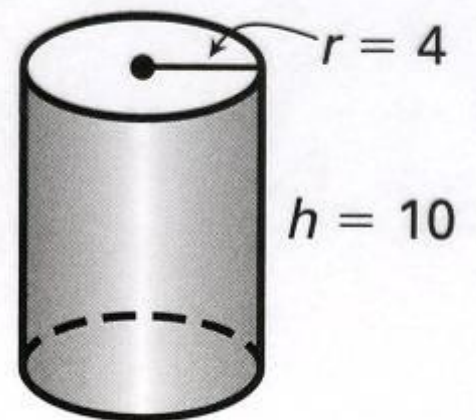
10.



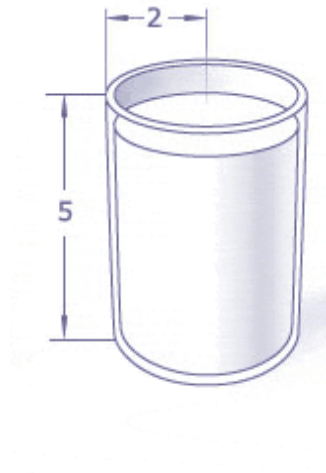
11.



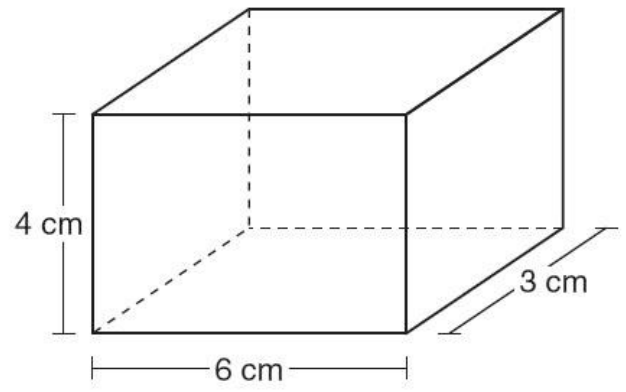
12.



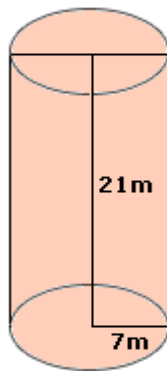
13.



14.



15.



16.



17.



18.

