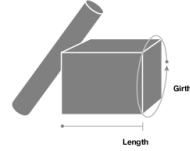


Calculating the Girth of a Package

Girth generally refers to the distance around an object at a 90° angle to the length.



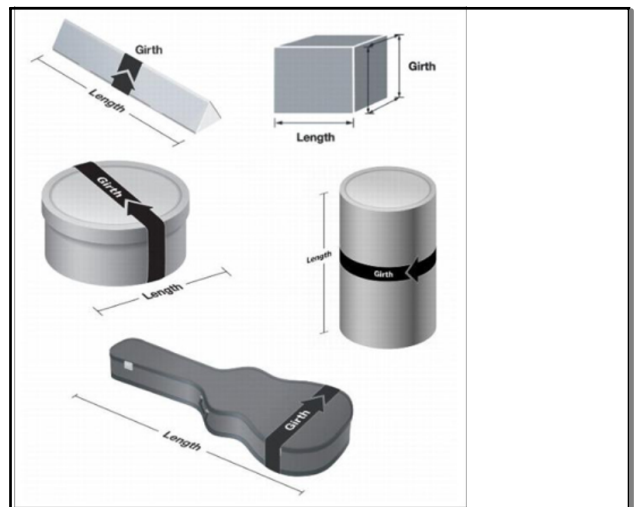
Many shipping companies and mail services, use a measurement like girth to determine the cost of shipping a package.

Dec 1-1:46 PM

Dec 1-1:46 PM



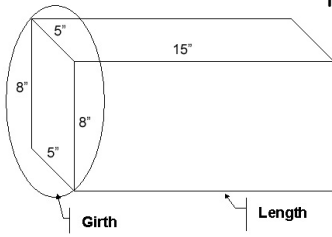
Dec 1-2:07 PM



Dec 1-1:52 PM

Jill uses the formula  $l + g$  to help determine the cost of shipping packages.

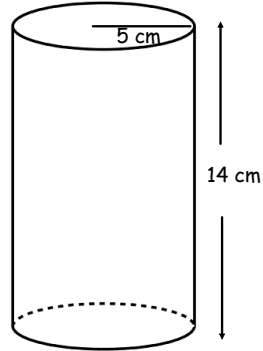
where  $l$  = the length of the longest side of the package  
 $g$  = the girth of the package (the distance around the package)



What is the length + girth measurement?

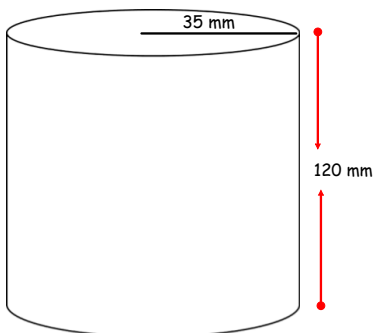
Dec 1-1:53 PM

What is the length + girth measurement?



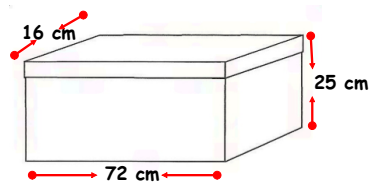
Dec 1-2:07 PM

What is the length + girth measurement?



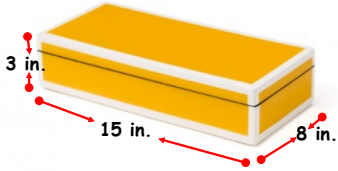
Dec 1-2:09 PM

What is the length + girth measurement?



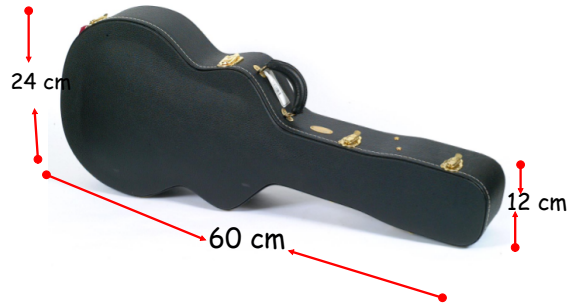
Dec 1-2:09 PM

What is the length + girth measurement?



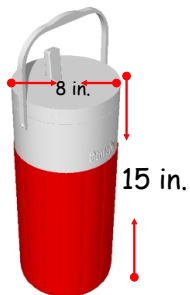
Dec 1-2:10 PM

What is the length + girth measurement?



Dec 1-2:22 PM

What is the length + girth measurement?



Dec 1-2:25 PM

Textbook Questions

page 96 - 99

Dec 1-2:17 PM